

Multi Grabs

IMG S - Sorting Jaws

IMG D - Demolition Sorting Jaws

IMG H - Material Handling Jaws





IMG L - Loading Jaws

IMG T - Timber Jaws



Application areas

		S	D	H	L	T
 Demolition & renovation	Light Demolition		○			
	• Demolition of masonry structures		○			
	• Brickwork		○			
	• Natural stone		○			
	• Renovation of interiors		○			
	• Autoclaved aerated concrete					
	Demolition of non-reinforced concrete structures		○			
	• Primary demolition of lightweight and standard concrete		○			
	• Primary demolition of heavyweight concrete					
	• Wall Elements		○			
	• Secondary demolition		○			
	Composite steel & concrete structure demolition					
	• Primary Demolition of Lightweight and Standard reinforced concrete					
	• Primary demolition of heavyweight steel - reinforced concrete					
	• Secondary Demolition floors, slabs and beams					
• Separating rebars from pillars and struts						
• Fiber-reinforced concrete						
• Cutting rebars and steel reinforcements						
Demolition of metallic buildings and structures						
• Demolition of refineries						
• Cutting of Metal and steel structures						
• Cutting steel girders/beams						
• Cutting reinforcements						
Sorting and Loading		○	○			
• Sorting		○	○			
• Loading		○			○	
• Waste handling		○		○	○	
• Site clean-up		○		○	○	
Pavement demolition						
• Asphalt						
• Concrete			○			
• Composite surfaces			○			
 Earth Moving and Construction	Earth moving works					
	• Trenching					
	• Ground excavation					
	• Floor leveling					
	• Soil compaction					
	• Trench compaction					
	• Loading soil or bulk material		○			○
	Foundation works					
	• Building foundation excavation					
	• Ground leveling					
Building construction						
• Foundation pile driving						
• Compaction around pillars						

		S	D	H	L	T
 Infrastructures	Tunnelling					
	• Tunnel excavation					
	• Roof, face & rib scaling					
	Underwater application					
	• Dredging					
	• Dock deepening & extension					
	• Canal deepening & extension					
	• Loading soil or bulk material		○			○
	• Handling rock or breakwaters				○	○
	Trenching					
• Oil & gas, water & sewage (deep trenching)						
• Trenching						
• Trench soil compaction						
Road construction						
• Pile driving and guard rail driving						
• Asphalt repair						
• Maintenance work (driveways, sidewalks and parking lots)						
• Block paving						
 Agriculture and forestry	Gardening & Landscaping					
	• Fencing					
	• Ground excavation					
	• Rock breaking					
	• Pit planting					
• Log splitting						
Forestry						
• Timber log handling				○	○	
 Material Handling	• Loading soil or bulk material		○			○
	• Handling rock or breakwaters				○	○
	• Material transport, storage, positioning		○		○	○
	• Timber log handling				○	○
	 Recycling	Processing				
• Scrap material processing						
• Cutting tyres						
• Processing rail cars						
• Processing cars, trucks and general automotive						
• Cutting tanks						
Handling and sorting						
• Scrap material handling			○		○	
• Scrap material sorting					○	
• Urban waste			○		○	
• Industrial waste		○		○		
• Wood and tyres				○	○	
Downsizing and sorting						
• Material downsizing and sorting in recycling quarries						

IMG S| Sorting Jaws

IMG D| Demolition Sorting Jaws

IMG H| 3+2 Material Handling Jaws

IMG L| Loading Jaws

IMG T| Timber Jaws

IMG jaws

Years of experience have enabled Indeco to meet the specific demands of the market by designing and developing – with all our usual excellence in terms of innovation, quality and reliability – this line of equipment for a wide range of sectors, from demolition to forestry jobs. The five different models of Indeco IMG jaws run on the same hydraulic system, an upgrade compared with the previous IDG system, combined with the 360° rotation mechanism found on all of Indeco's other rotating products. Its innovative design features, specifically created to handle each product variant, and its use of special HARDOX® wear-resistant steels, have helped to combine some key features such as outstanding robustness and light weight, as well as above-average payload and gripping force. Its exceptional manoeuvrability, its mounting bracket compatible with other Indeco products, the efficiency of its hydraulic system which ensures maximum precision in handling and is cheap to run – just some of the extra qualities that make Indeco IMG jaws such safe and reliable partners. Having such a wide range of models, in each of the five product variants, means there is always a perfect combination for your carrier, no matter what size it is.

IMG S - Sorting jaws

Indeco IMG S sorting jaws are the ideal tools for sorting waste materials from demolition work, from clearing stony ground, and from dredging of rivers and seas.

IMG D - Demolition Sorting Jaws

Indeco IMG D demolition sorting jaws are ideal for light demolition jobs, such as demolishing wood and brick structures, and can also be used to select and handle waste materials. Their unique structure, outstanding manoeuvrability, power and high payload are ideal for recycling and recovery.

IMG H - 3+2 Material Handling Jaws

Designed to facilitate handling of large objects such as scrap metal, vehicles for demolition, and other demolition scrap, their hydraulic rotation system and the strength of their interlocking teeth provide a safe powerful grip.

IMG L - Loading Jaws

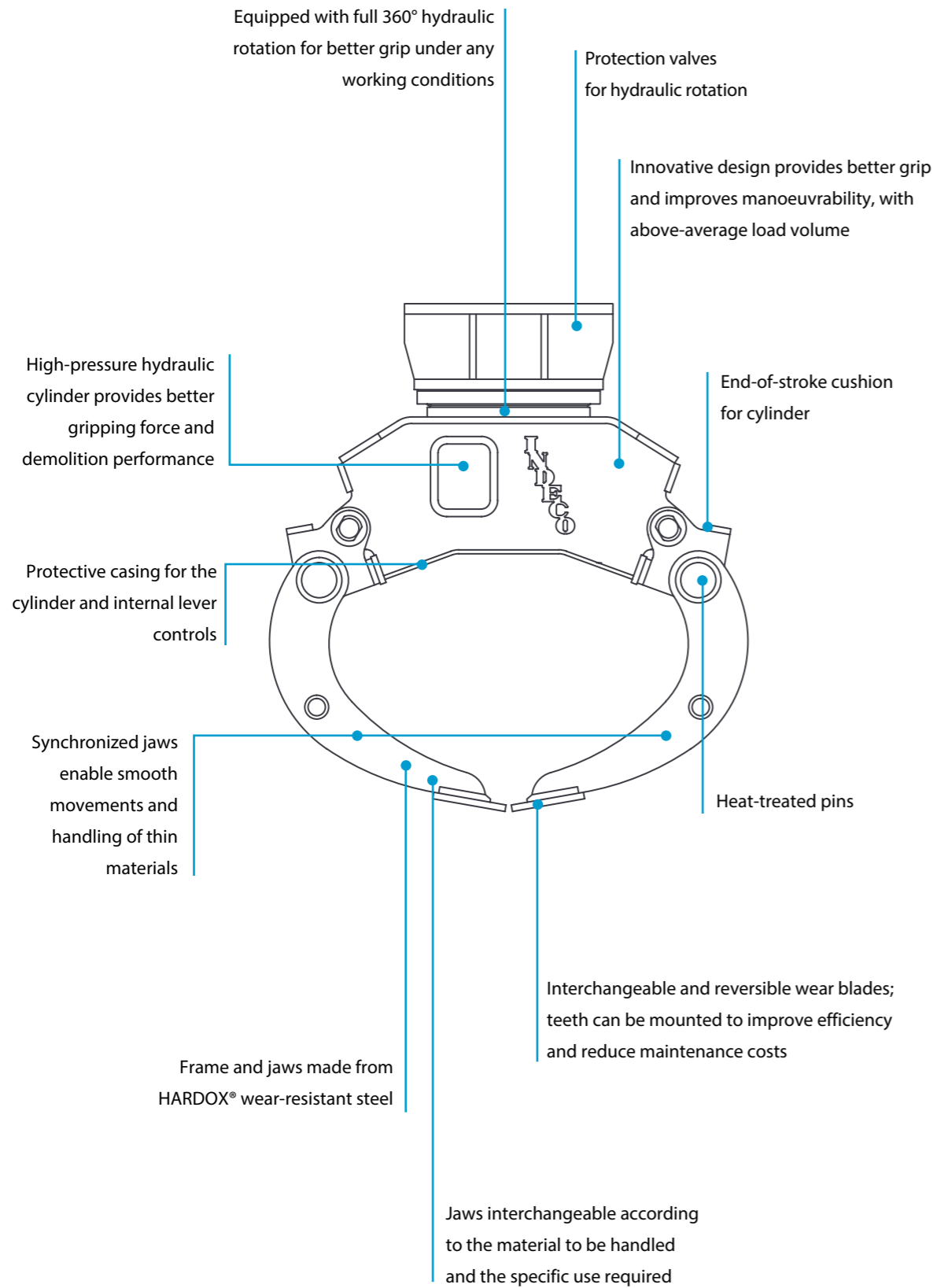
The geometry of the Indeco IMG L loading jaws is designed for maximum load, making them ideal for moving earth, gravel, sand, mud, boulders, agricultural and industrial waste, urban waste, minerals, etc.

IMG T - Timber Jaws

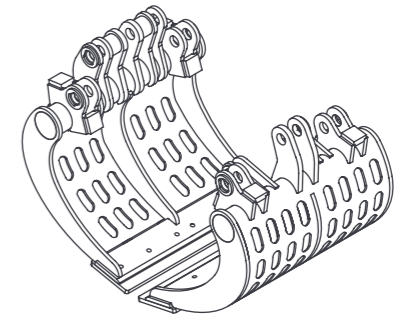
Designed to combine maximum gripping force with the lightest possible weight, Indeco IMG T grabs facilitate the handling of large tree trunks in forestry operations.



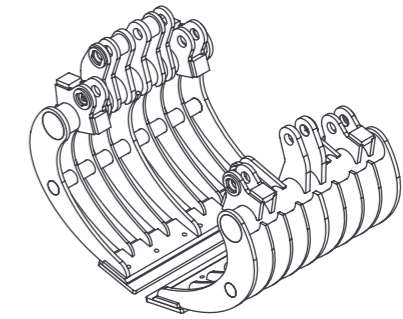
Features of IMG jaws



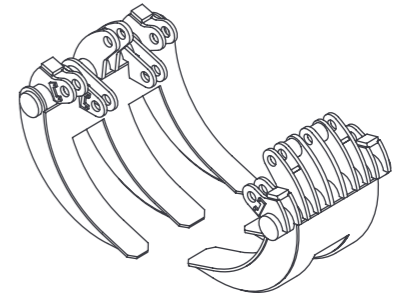
IMG S - Sorting Jaws



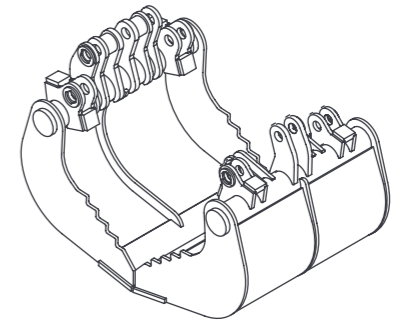
IMG D - Demolition Sorting Jaws



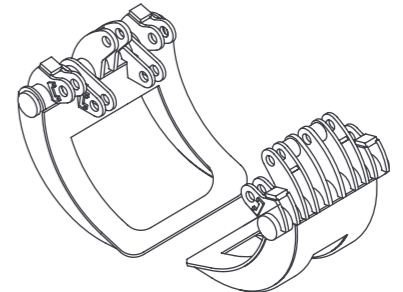
IMG H - 3+2 Material Handling Jaws



IMG L - Loading Jaws



IMG T - Timber Jaws



Technical Data	IMG 400	IMG 600	IMG 1200
Type of carrier	1 3	1 3 4	4 5
Excavator weight	3 ÷ 10 tons	5 ÷ 16 tons	12 ÷ 22 tons
Maximum working pressure	300 bars	300 bars	300 bars
Maximum oil delivery	30 l/min	50 l/min	70 l/min
Hydraulic connections for cylinder	1/2"	1/2"	3/4"
Maximum rotation pressure	100 bars	100 bars	100 bars
Maximum rotation oil flow	10 l/min	10 l/min	20 l/min
Hydraulic connections for rotation	3/8"	3/8"	1/2"
Maximum force at blade/teeth	3000 Kg	4000 Kg	6000 Kg
Compatibility of attachment plate with hammer	HP 900	HP 900	HP 2000 - HP 2500

Sorting Jaws	IMG 400 S	IMG 600 S	IMG 1200 S
Attachment operating weight*	380 Kg	570 Kg	1140 Kg
Maximum opening	1500 mm	1700 mm	2200 mm
Load capacity	170 l	280 l	550 l
Jaw width	600 mm	700 mm	900 mm

Demolition Sorting Jaws	IMG 400 D	IMG 600 D	IMG 1200 D
Attachment operating weight*	400 Kg	600 Kg	1200 Kg
Maximum opening	1500 mm	1700 mm	2200 mm
Load capacity	170 l	280 l	550 l
Jaw width	600 mm	700 mm	900 mm

3+2 Material Handling Jaws	IMG 400 H	IMG 600 H	IMG 1200 H
Attachment operating weight*	425 Kg	640 Kg	1280 Kg
Maximum opening	930 mm	1085 mm	1360 mm
Jaw width	570 mm	660 mm	830 mm

Loading Jaws	IMG 400 L	IMG 600 L	IMG 1200 L
Attachment operating weight*	415 Kg	630 Kg	1250 Kg
Maximum opening	1500 mm	1700 mm	2200 mm
Load capacity	190 l	320 l	620 l
Jaw width	600 mm	700 mm	900 mm

Timber Jaws	IMG 400 T	IMG 600 T	IMG 1200 T
Attachment operating weight*	415 Kg	630 Kg	1250 Kg
Maximum opening	930 mm	1090 mm	1360 mm
Jaw width	570 mm	660 mm	830 mm

*The operating weight of the equipment includes mounting bracket compatible with Indeco construction standards. Any differences in weight may be due to a different mounting bracket configuration.

Carrier key



Technical Data	IMG 1700	IMG 2300	IMG 2800
Type of carrier	4 5	5	5
Excavator weight	17 ÷ 30 tons	22 ÷ 40 tons	26 ÷ 50 tons
Maximum working pressure	320 bars	350 bars	350 bars
Maximum oil delivery	80 l/min	130 l/min	160 l/min
Hydraulic connections for cylinder	3/4"	3/4"	3/4"
Maximum rotation pressure	110 bars	110 bars	110 bars
Maximum rotation oil flow	20 l/min	30 l/min	30 l/min
Hydraulic connections for rotation	1/2"	1/2"	1/2"
Maximum force at blade/teeth	7000 Kg	10000 Kg	12000 Kg
Compatibility of attachment plate with hammer	HP 2000 - HP 2500	HP 3000 ÷ HP 4000	HP 3000 ÷ HP 4000

Sorting Jaws	IMG 1700 S	IMG 2300 S	IMG 2800 S
Attachment operating weight*	1610 Kg	2180 Kg	2650 Kg
Maximum opening	2500 mm	2700 mm	3000 mm
Load capacity	800 l	1200 l	1500 l
Jaw width	1000 mm	1100 mm	1200 mm

Demolition Sorting Jaws	IMG 1700 D	IMG 2300 D	IMG 2800 D
Attachment operating weight*	1700 Kg	2300 Kg	2800 Kg
Maximum opening	2500 mm	2700 mm	3000 mm
Load capacity	800 l	1200 l	1500 l
Jaw width	1000 mm	1100 mm	1200 mm

3+2 Material Handling Jaws	IMG 1700 H	IMG 2300 H	IMG 2800 H
Attachment operating weight*	1800 Kg	2450 Kg	2990 Kg
Maximum opening	1550 mm	1710 mm	1840 mm
Jaw width	950 mm	1050 mm	1130 mm

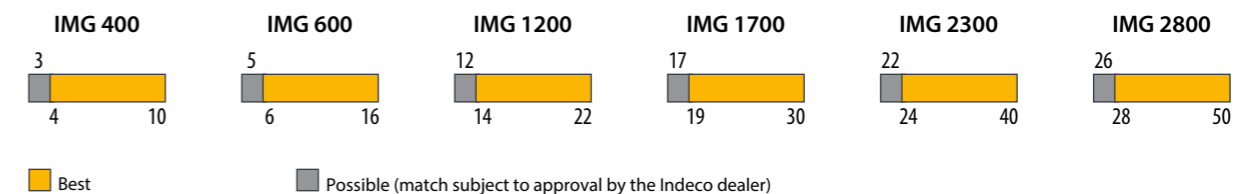
Loading Jaws	IMG 1700 L	IMG 2300 L	IMG 2800 L
Attachment operating weight*	1780 Kg	2400 Kg	2930 Kg
Maximum opening	2500 mm	2700 mm	3000 mm
Load capacity	900 l	1350 l	1700 l
Jaw width	1000 mm	1100 mm	1200 mm

Timber Jaws	IMG 1700 T	IMG 2300 T	IMG 2800 T
Attachment operating weight*	1780 Kg	2400 Kg	2930 Kg
Maximum opening	1550 mm	1710 mm	1840 mm
Jaw width	950 mm	1050 mm	1130 mm

N.B. All illustrations and numerical data in this catalog are purely indicative and subject to change at our discretion and without notice. We therefore reserve the right to modify them with a view to improving and continuously developing our product.

compatibility

Suggested uses on machines with an overall weight (in tons):



Accessories

Mounting brackets

Each mounting bracket model can be used with all Indeco products in the same class.



Connecting hoses

We recommend using original Indeco high- and low-pressure hoses to connect various tools to the hydraulic system on the carrier.



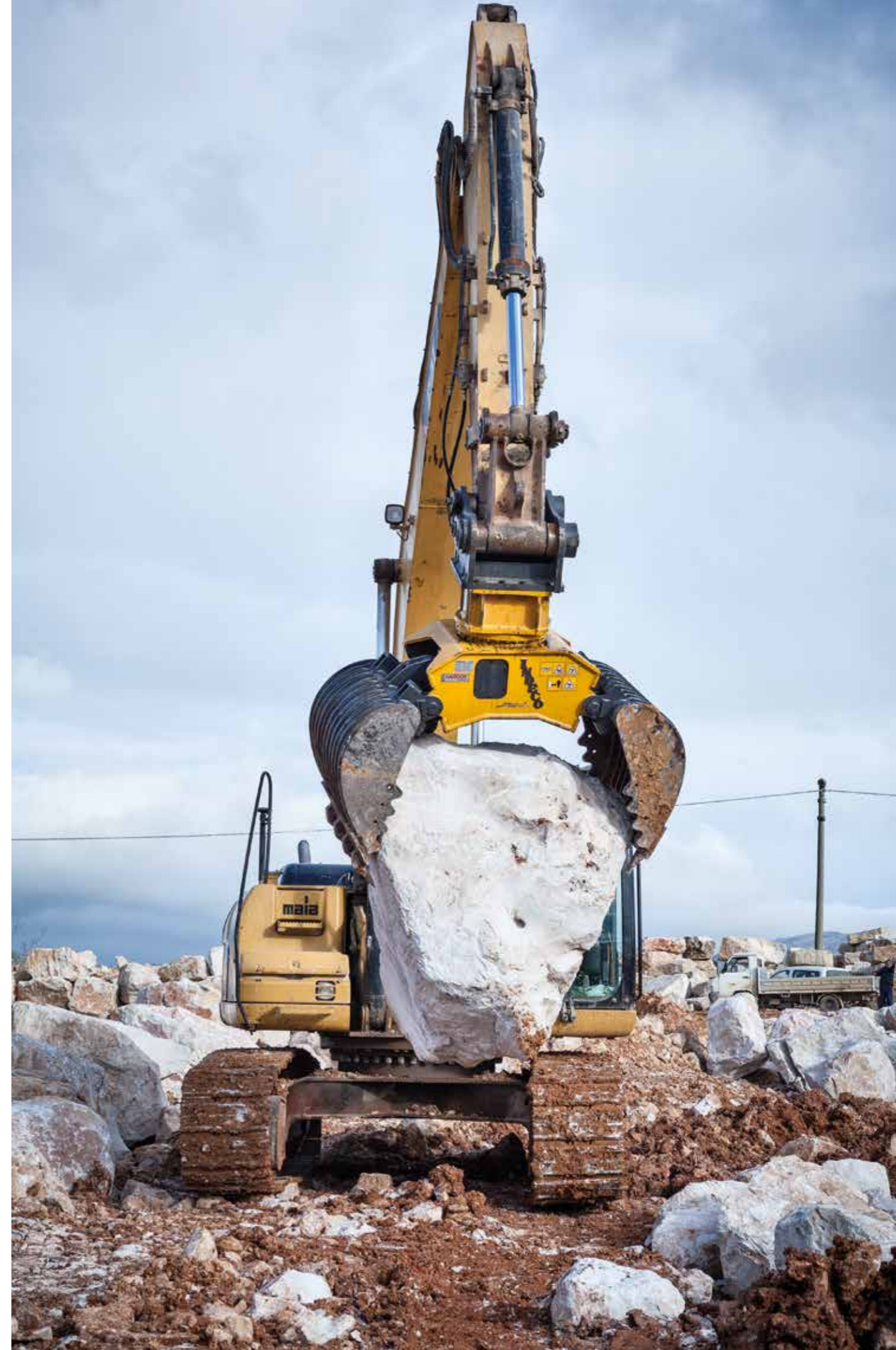
Wear blades

Interchangeable and reversible wear blades for greater efficiency and lower maintenance costs; teeth can be mounted.



Quick change teeth - IMG

Teeth with quick-change inserts are available upon request. Easy to replace during maintenance, they are ideal for use in quarries, where the equipment is subject to consistently high levels of wear and tear.



The full range of other Indeco products

Products		Weight		Products		Weight	
IFP	8 X	750	Kg	IHC	150	970	Kg
IFP	13 X	1300	Kg	IHC	250	1280	Kg
IFP	19 X	1800	Kg	IHC R	50	425	Kg
IFP	28 X	2800	Kg	IHC R	70	630	Kg
IFP	35 X	3450	Kg	IHC R	75	670	Kg
IFP	45 X	4400	Kg	IHC R	150	1185	Kg
IRP	11 X	1150	Kg	IHC R	250	1520	Kg
IRP	18 X	1700	Kg	IMG S**	400	380	Kg
IRP	23 X	2300	Kg	IMG S**	600	570	Kg
IRP	29 X	2950	Kg	IMG S**	1200	1140	Kg
IRP	36 X	3600	Kg	IMG S**	1700	1610	Kg
IRP	45 X	4500	Kg	IMG S**	2300	2180	Kg
IMP*	15	1500	Kg	IMG S**	2800	2650	Kg
IMP*	20	2080	Kg	ISS***	10/20	2400	Kg
IMP*	25	2400	Kg	ISS***	20/30	3650	Kg
IMP*	35	3500	Kg	ISS***	25/40	4800	Kg
IMP*	45	4500	Kg	ISS***	30/50	6100	Kg
IHC	50	200	Kg	ISS***	35/60	7800	Kg
IHC	70	445	Kg	ISS***	45/90	10400	Kg
IHC	75	485	Kg				

*Crusher configuration - **Sorter configuration - ***Third-member configuration

Indeco Ind. SpA
viale Lindemann, 10 z.i. - 70132 Bari - Italy
tel. +39 080 531 33 70 - fax +39 080 537 79 76



info@indec0.it - www.indec0.it/en

